

# USER MANUAL



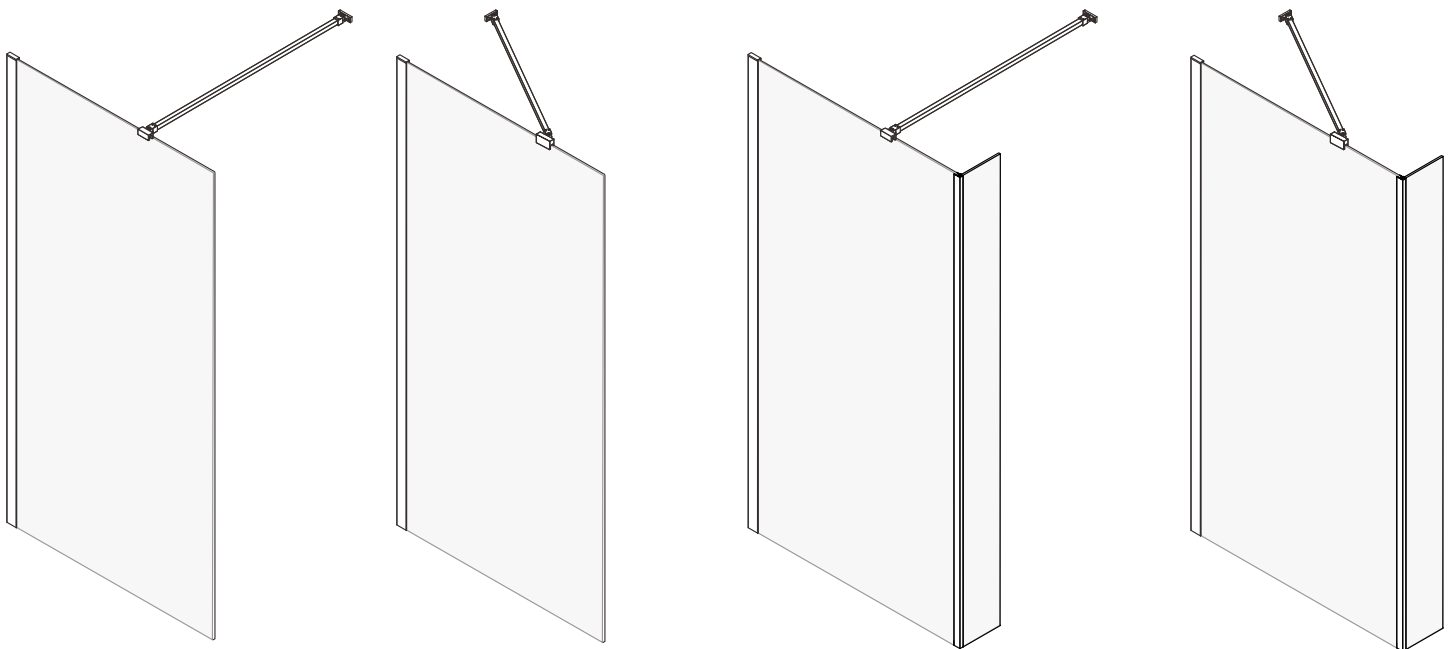
Thank you for choosing Better Bathrooms.  
Please read this manual before installing your product  
and keep for future reference.

**better  
bathrooms**

**PRODUCT NAME- CORVUS FRAMELESS WET ROOM PANEL**

**PRODUCT CODE-BEBA\_26079~BEBA\_26092 BEBA\_27452~BEBA\_27453**

**CORBB800 CORBB900 CORBB1000 CORBB1200**



- **Multi-person assembly**
- **Tools required**
- **We always recommend using professional tradespeople to install your product**

# **Congratulations on your purchase**

*And welcome to our growing gang of savvy shoppers*

We're on a mission to bring you extraordinary bathroom products, for less. From modern to traditional style ceramics, plus the gorgeous fixtures, fittings and furniture to match. So, you can fall in love with your space every single day.

As one of the UK's largest independent bathroom stores, we've received countless awards; including the National Business Awards UK, the Digital Entrepreneur Awards and being placed on The Sunday Times Fast Track 100.

We hope your new product goes above and beyond your expectations. However, should any problems occur, please:

- log in to your account and contact our customer services team via your self-serve portal – [betterbathrooms.com/CustomerAccount/Login](https://betterbathrooms.com/CustomerAccount/Login)
- contact us via [betterbathrooms.com/content/contact-us](https://betterbathrooms.com/content/contact-us)

## **Important information**

- Please read these instructions thoroughly and retain for future reference
- Always check for pipes and cables before drilling

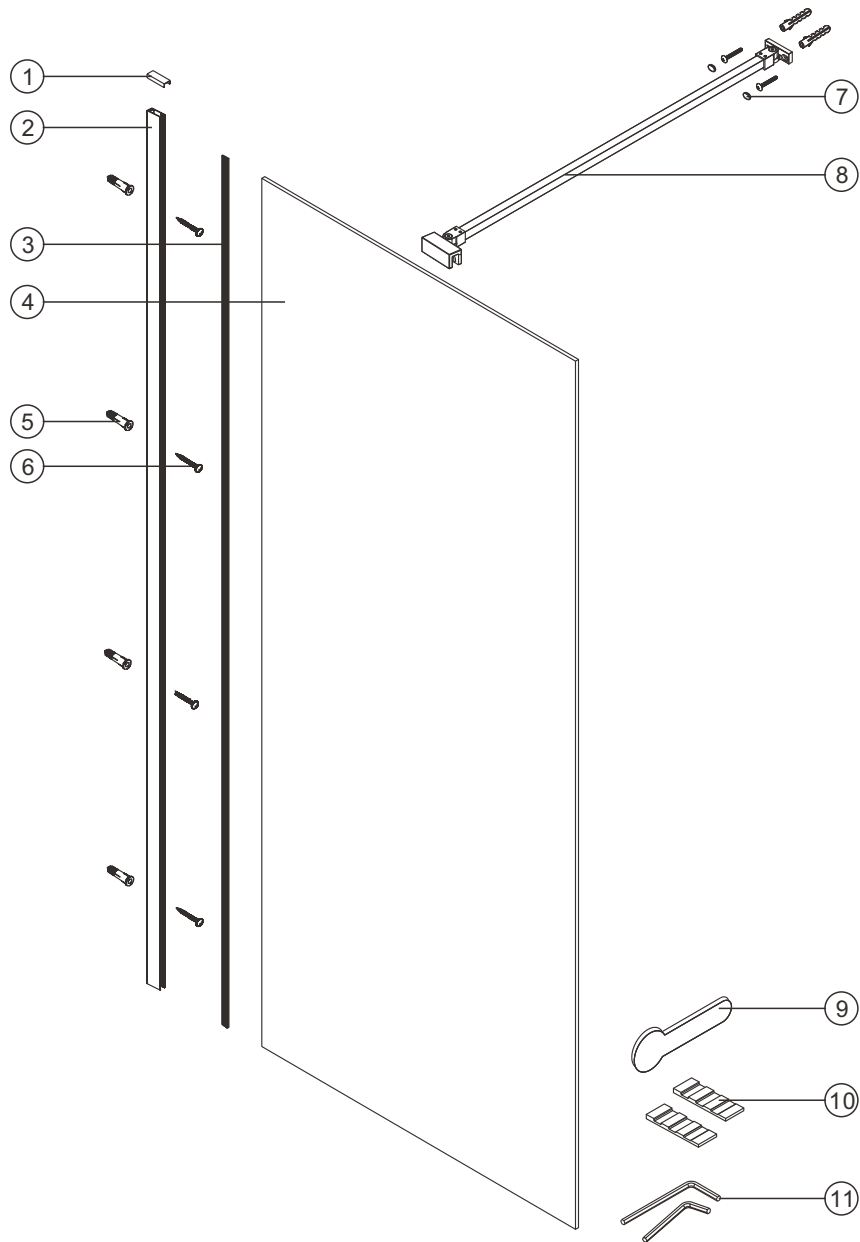
## **CAUTION**

- To prevent leaks, silicone must be applied on the outside of the shower and not on the inside
- Read all instruction carefully before starting the installation
- Save this manual for future reference

# Contents

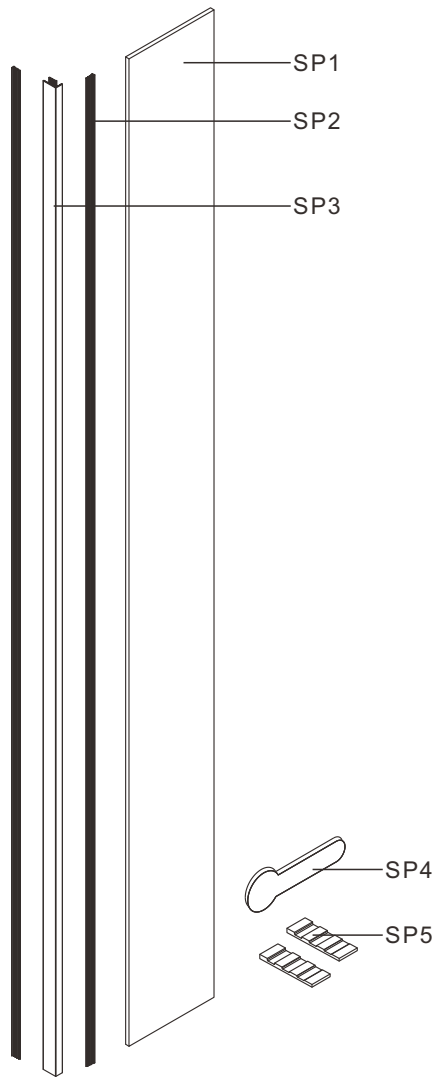
- PART LIST----- PAGE 04-05
- PREPARATION & TOOL REQUIRED----- PAGE 06
- INSTALLATION----- PAGE 07
- CONTINUE----- PAGE 08

# PARTS LIST



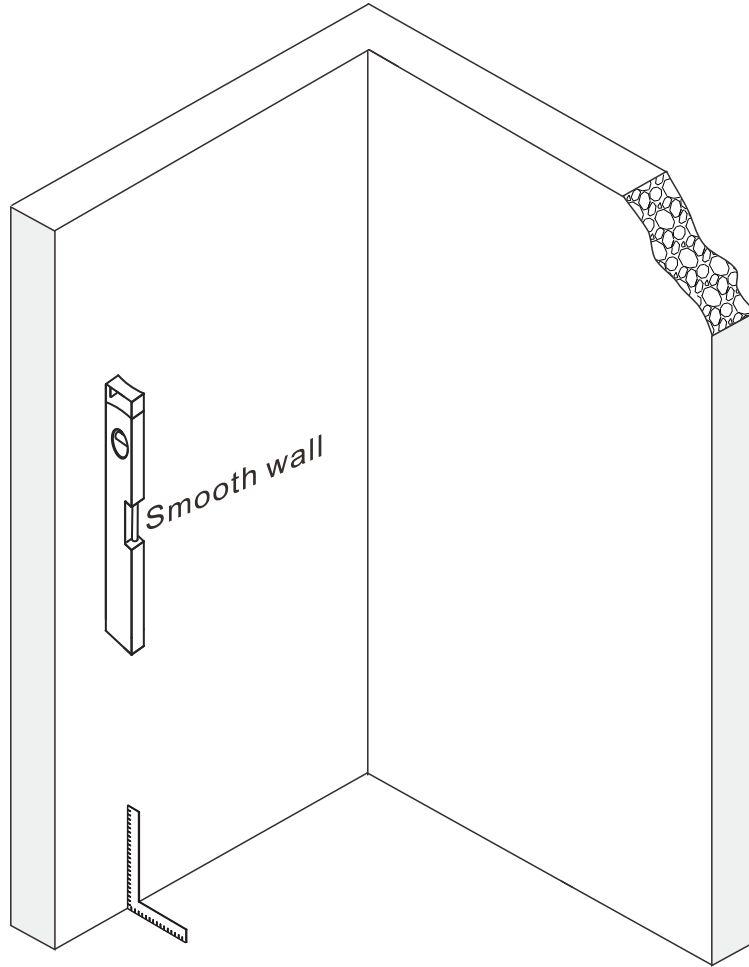
NO	Qty	Description	NO	Qty	Description
1	1	Cover Cap	7	2	Screw cap
2	1	Wall Channel	8	1	Bracing bar
3	1	Squeeze gasket	9	1	Squeeze gasket tool
4	1	Glass Screen	10	2	Glass Wedge
5	6	Wall Plug	11	2	Allen key
6	6	Screw ST4X40			

# PARTS LIST

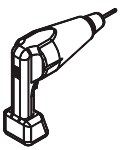


NO	Qty	Description
1	1	Glass Screen
2	2	Squeeze gasket
3	1	Corner profile
4	1	Squeeze gasket tool
5	2	Glass Wedge

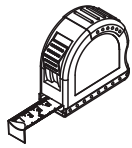
# Preparation



# Tools required



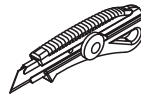
DRILL



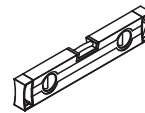
MEASURING TAPE



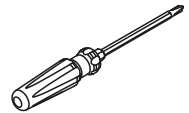
SILICONE



PRECISION KNIFE



LEVEL



SCREWDR



MALLET



SET SQUARE



PENCIL



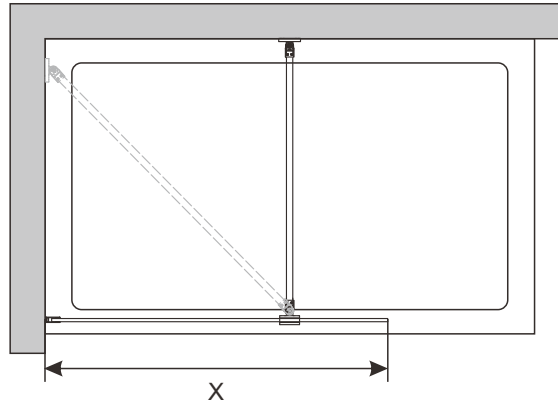
DRILL BITS: 1/8", 3/16" ET 1/4"  
\*MASONRY DRILL BIT



SCREWS

# Installation

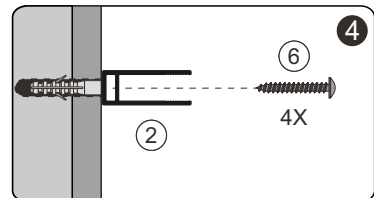
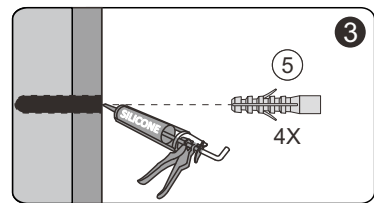
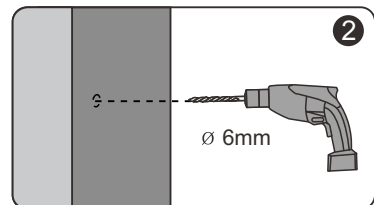
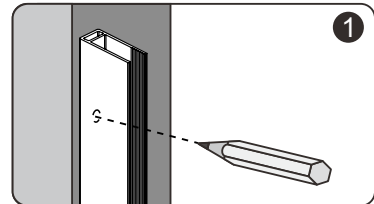
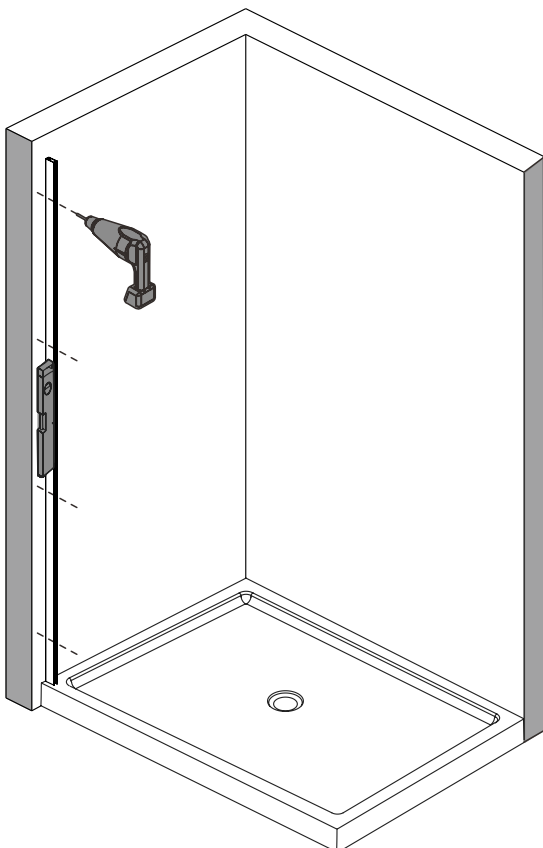
**A** 01



Size	X,mm	Size	X,mm
700	675~690	1100	1085~1100
800	775~790	1200	1185~1200
900	875~890	1400	1385~1400
1000	985~1000		

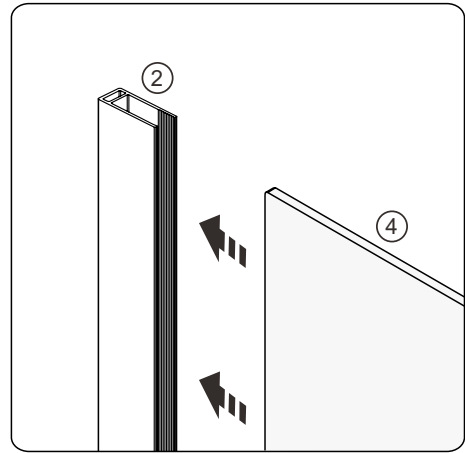
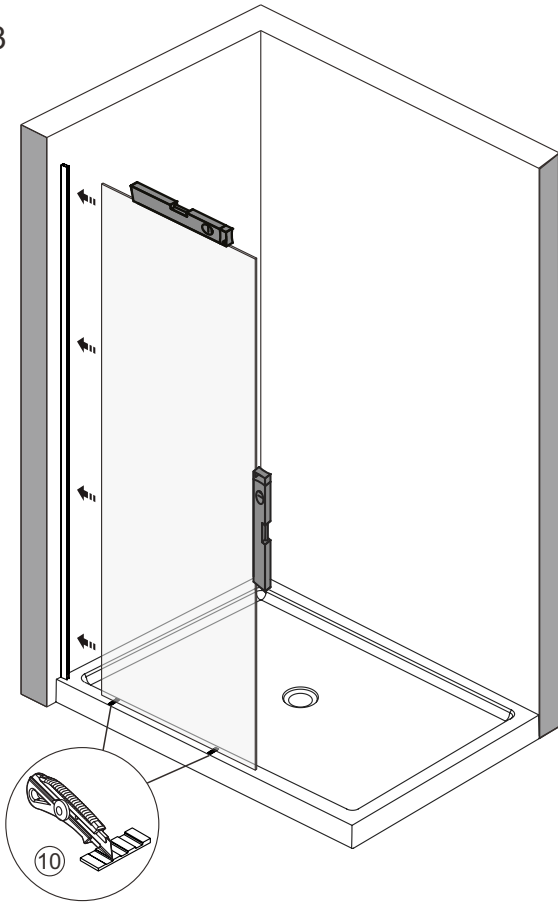
# Continue

**A** 02



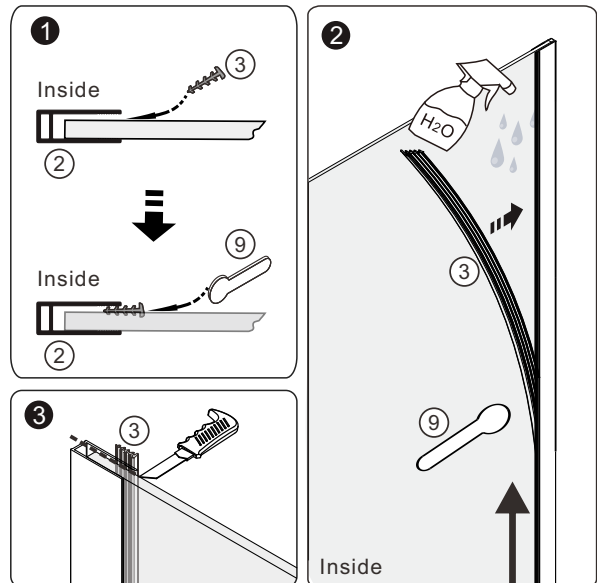
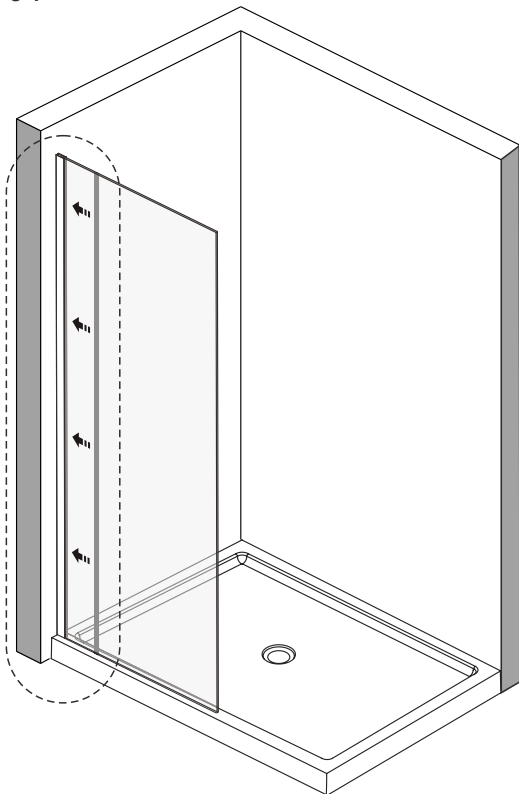
Continue

**A** 03



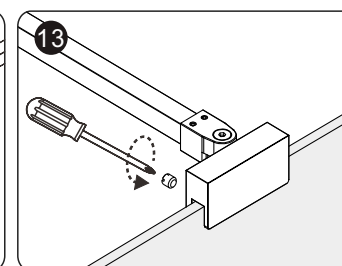
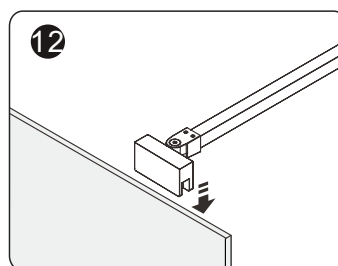
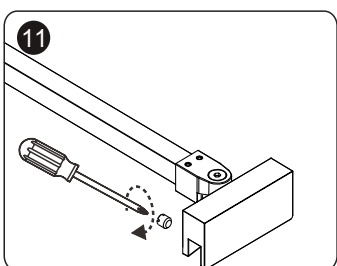
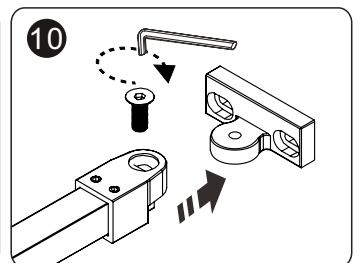
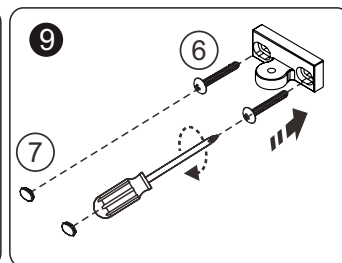
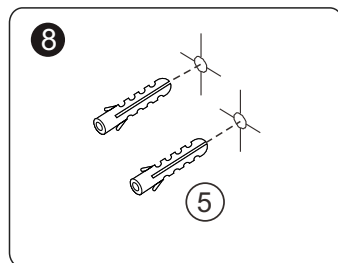
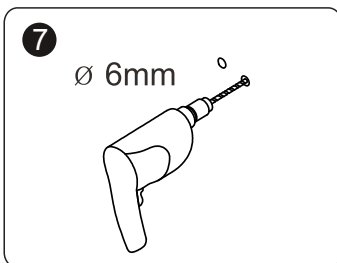
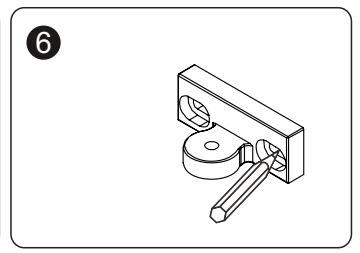
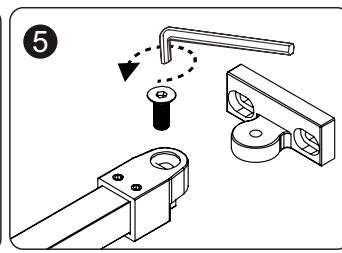
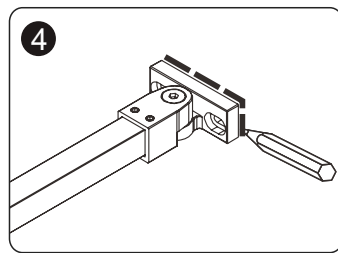
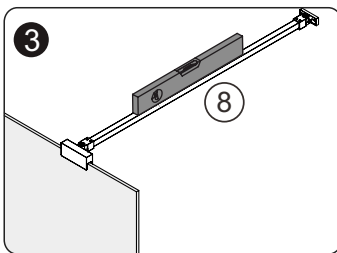
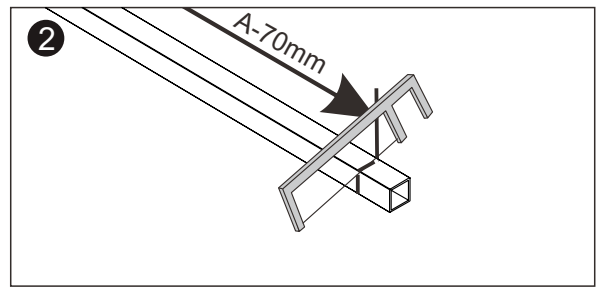
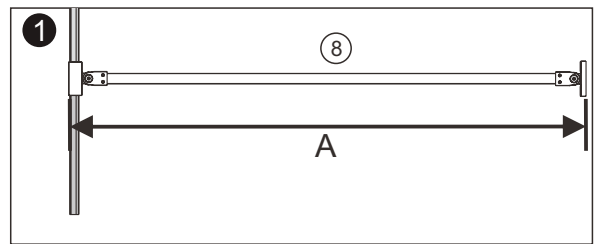
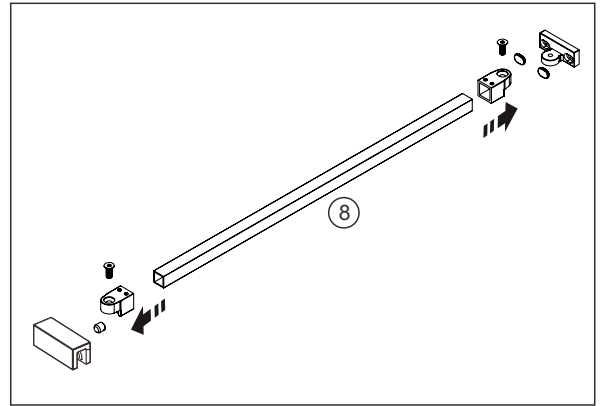
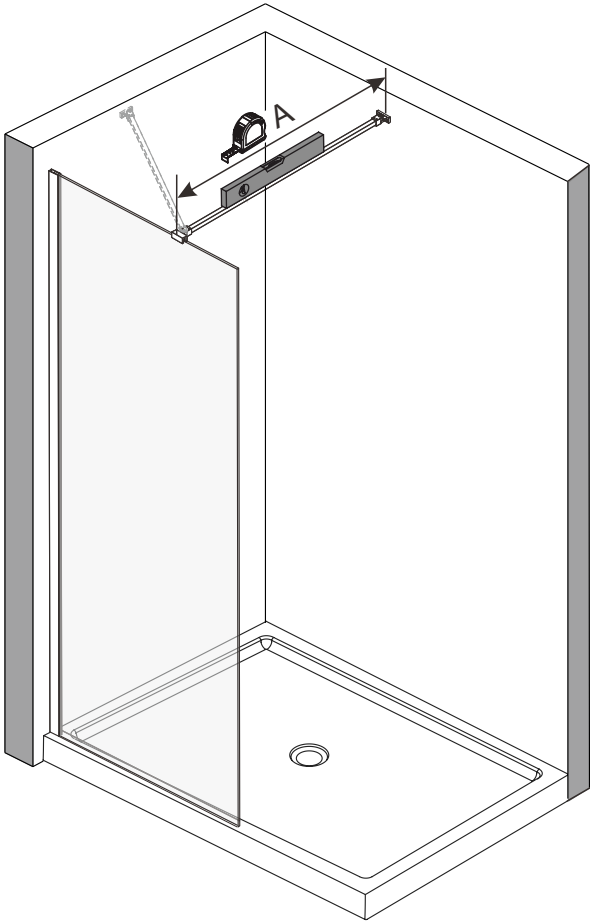
Continue

**A** 04

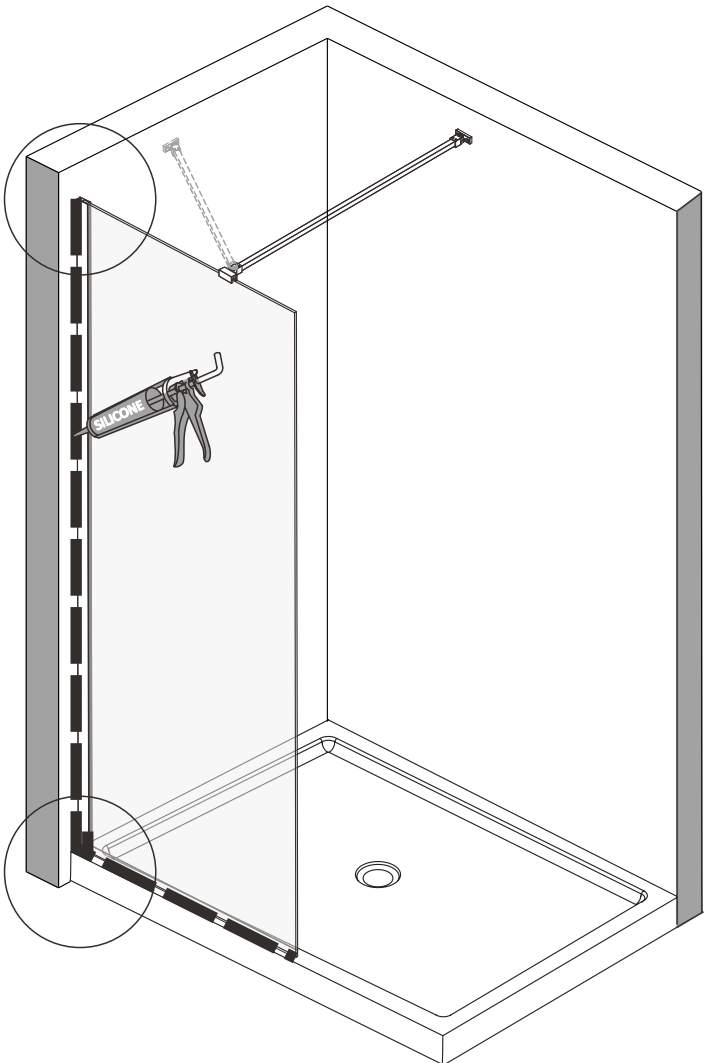
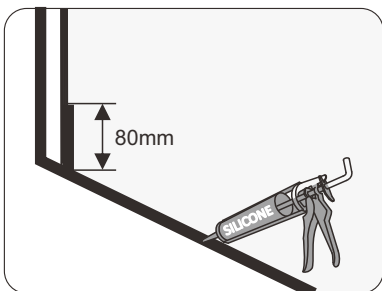
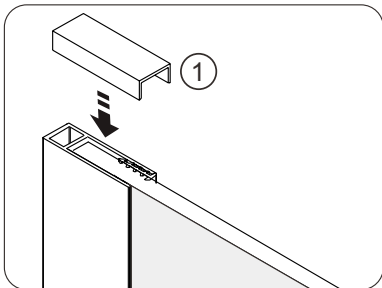




**A** 05

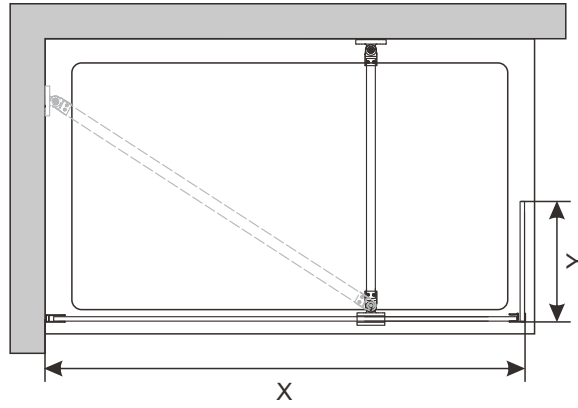


A 06



# Installation

**B** 01

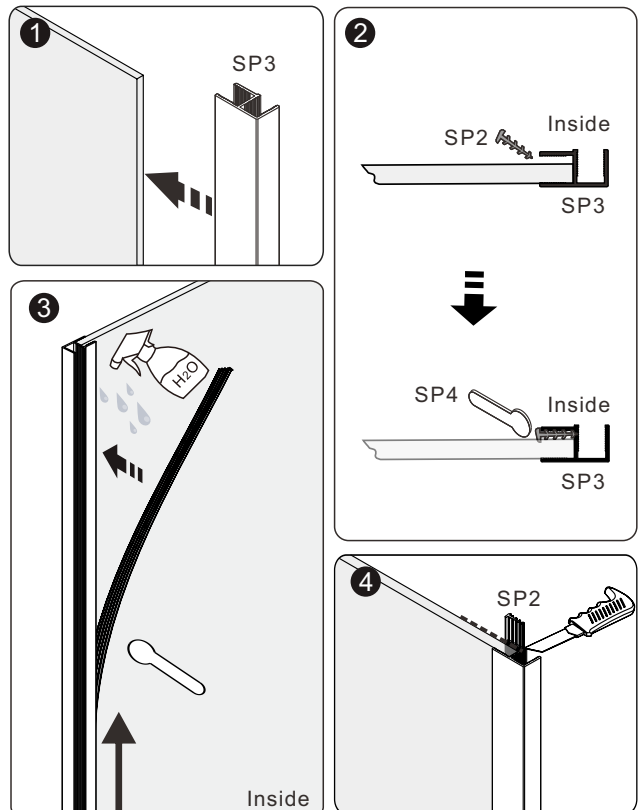
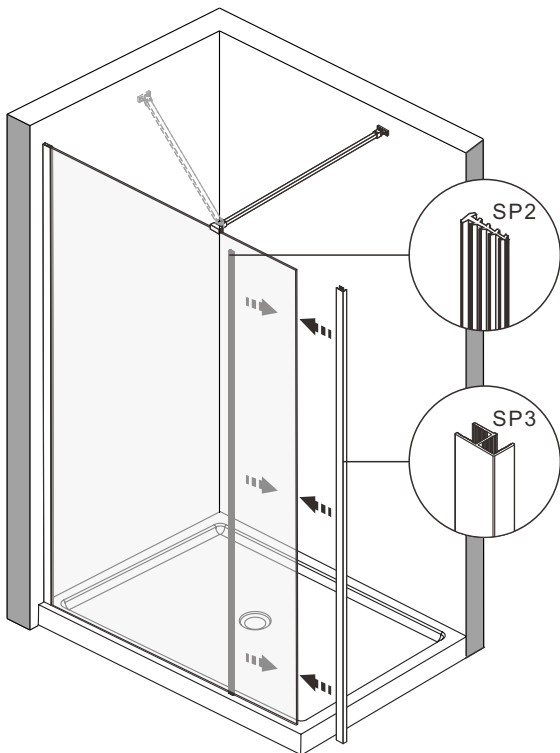


Size	X,mm
700	690~705
800	790~805
900	890~905
1000	1000~1015
1100	1100~1115
1200	1200~1215
1400	1400~1415

Size	Y,mm
300	300

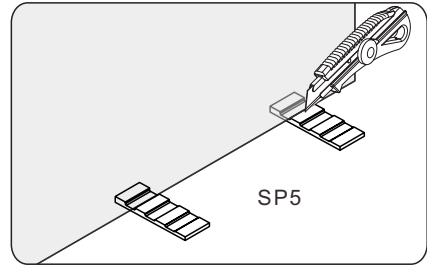
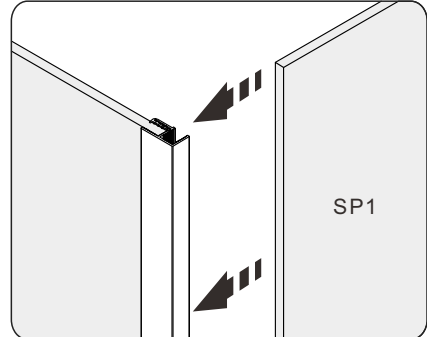
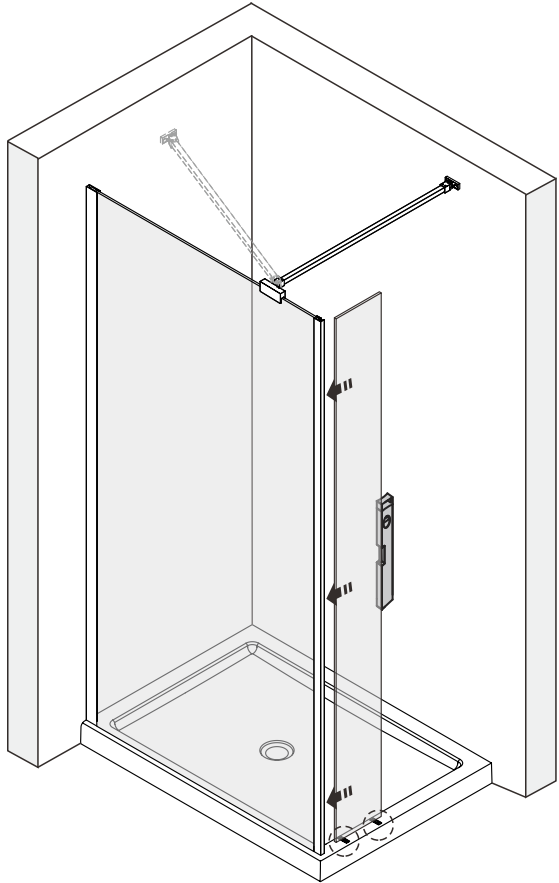
# Continue

**B** 02



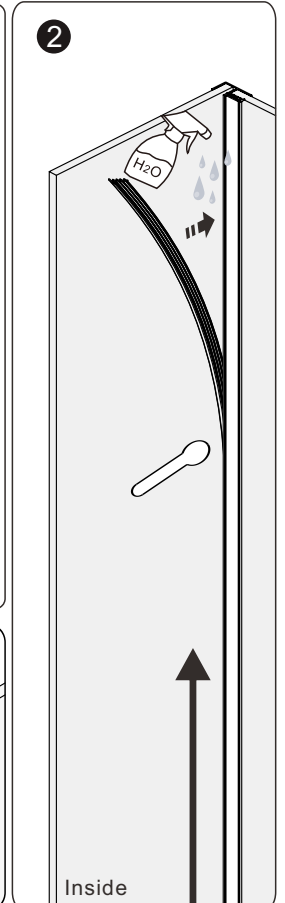
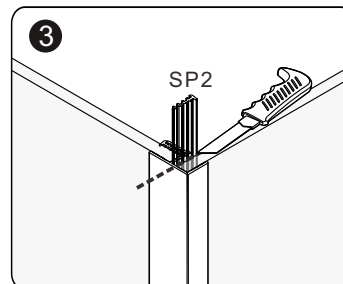
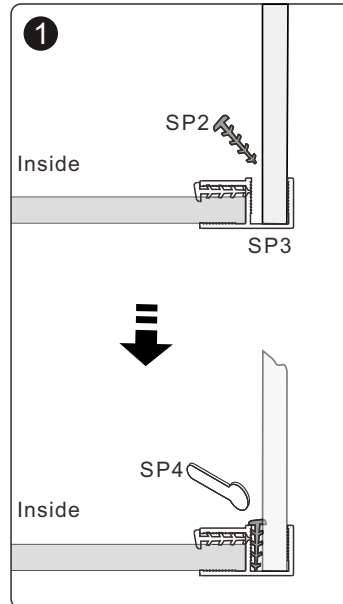
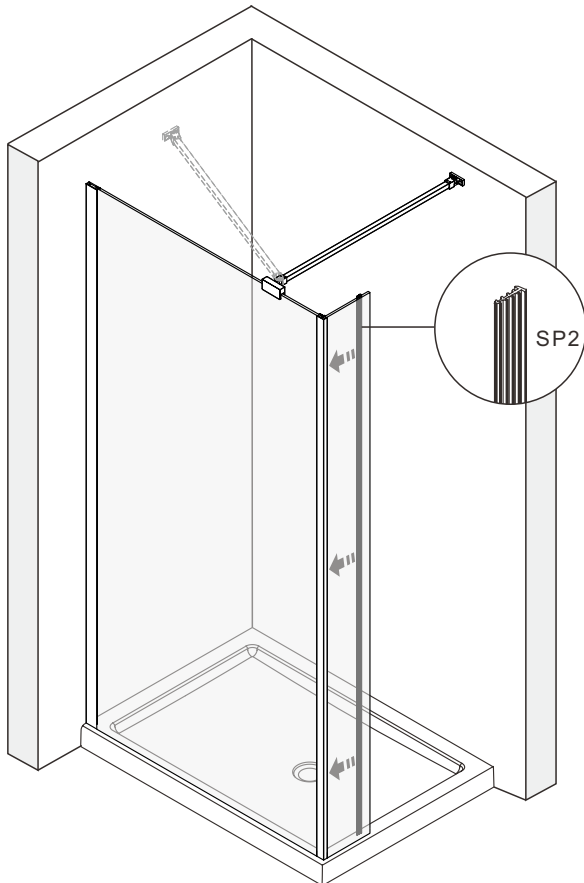
Continue

**B** 03

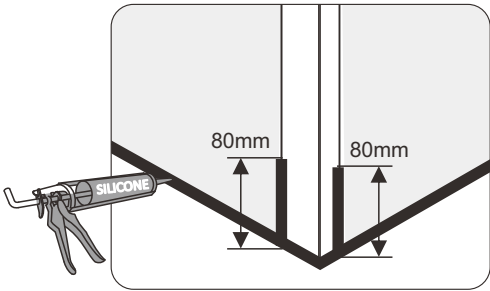
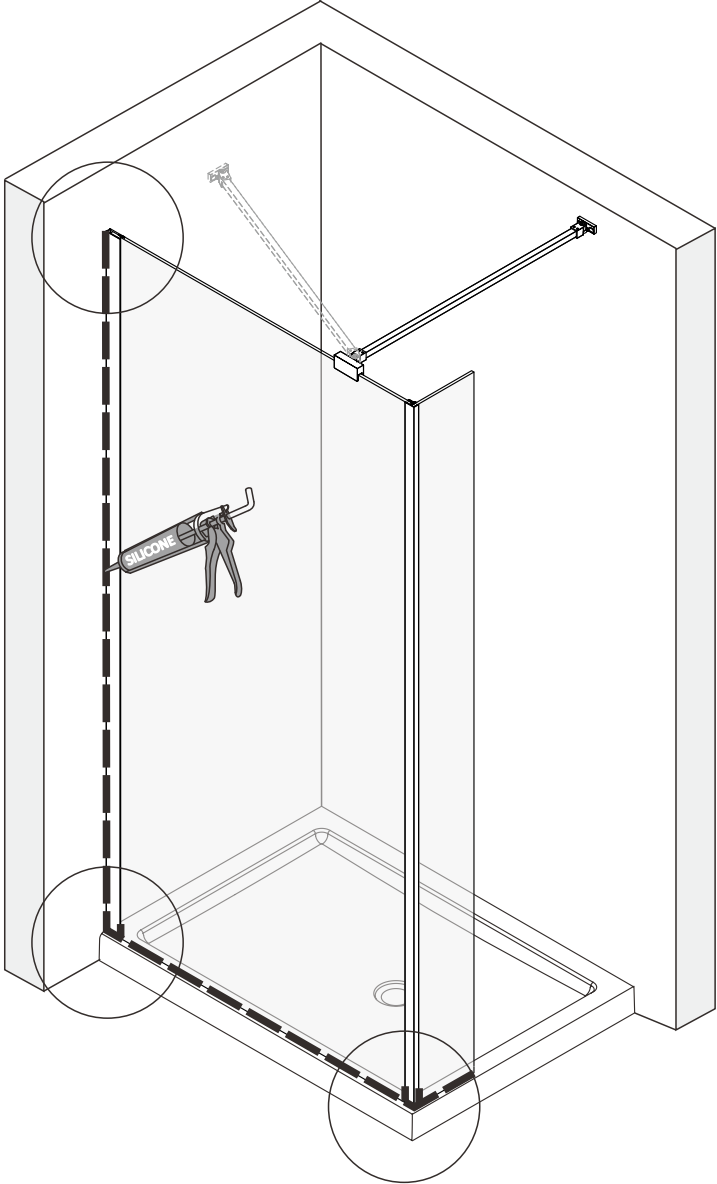
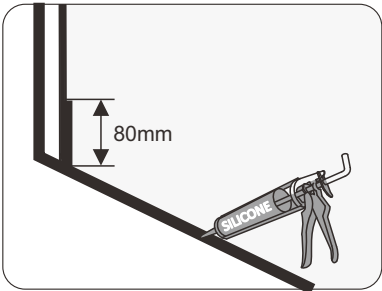
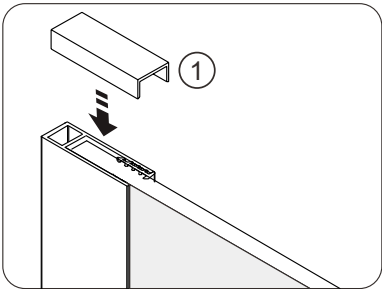
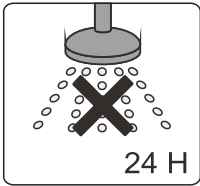


Continue

**B** 04



**B** 05



## Maintenance & Cleaning

Use a PH-neutral cleaning agent to maintain and clean the surface of your product. Not to use alkaline, solvent, acid and chloric or scrubbing agents.

To maintain the surface of your product, wipe with a clean damp cloth and wipe dry, do not use any abrasive cleaning agents or materials. If any harsh chemicals come into contact with the surface of the product, rinse and wipe clean immediately.

### ***For more information***

- visit [betterbathrooms.com](http://betterbathrooms.com)
- email [customerservices@buyitdirect.co.uk](mailto:customerservices@buyitdirect.co.uk)
- call 03303903062
- write to Trident Business Park, Neptune Way, Huddersfield, HD2 1UA

**better**   
**bathrooms**

Part of the BuyItDirect Group